

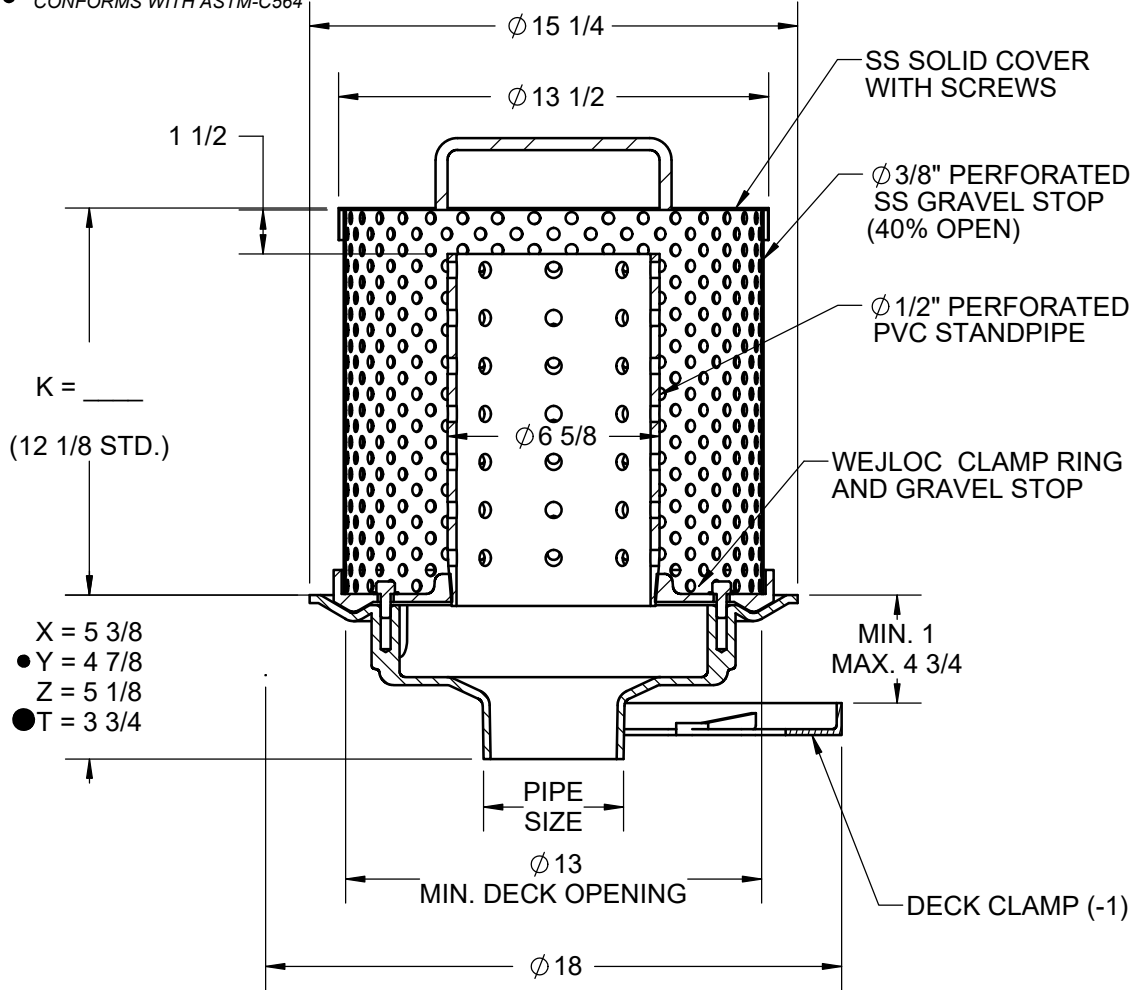
**SPECIFICATION:**

JOSAM SERIES 21500-RDG1 COATED CAST IRON DRAIN BODY AND WEJLOC® CLAMP RING WITH STAINLESS STEEL GRAVEL STOP, SECURED COVER AND PERFORATED PVC STANDPIPE

**ROOF DRAIN  
GREEN ROOF**

SERIES **21500-RDG1**

- THIS DIMENSION IS 5-3/4" FOR 21508-T
- GASKET ON -Y CONNECTION CONFORMS WITH ASTM-C564



	2"	PIPE SIZE			-AE	THREADED LEVELZE ADJ. EXT.
	3"	PIPE SIZE			-AER	ADJ. EXT. USING THREADED RODS
	4"	PIPE SIZE			-PC	PERFORATED COVER
	5"	PIPE SIZE			-1	DECK CLAMP ASY.
	6"	PIPE SIZE			-2	DRAIN RECEIVER
	8"	PIPE SIZE			-3	DECK CLAMP ASY. AND DRAIN RECEIVER
	10"	PIPE SIZE (NO-HUB ONLY)			-3C	DRAIN RECEIVER AND DRAIN RECEIVER CLIPS
					-4	SECONDARY FLASHING CLAMP (-AE ONLY)
	-X	INSIDE CAULK OUTLET			-6	EXTRA WIDE FLANGE DRAIN BODY (-X OUTLET ONLY)
	-Y	HUB OUTLET W/GASKET (2", 3" & 4" SIZES ONLY)			-10	FIXED EXT. COLLAR, CAST IRON (SPECIFY HT. 4" STANDARD)
	-Z	NO-HUB SPIGOT OUTLET			-10-20	FIXED EXT. COLLAR, GALV. (SPECIFY HT. 4" STANDARD)
	-T	THREADED OUTLET			-20	GALV. CAST IRON PARTS
					-33	STAINLESS STEEL MESH COVERED GRAVEL STOP (16 X 16 MESH)
					-66	NO-HUB SIDE OUTLET (2" THRU 6" OUTLETS ONLY)

WARNING: Cancer and Reproductive Harm - www.P65Warnings.ca.gov

DATE OF LAST CHANGE: 06/07/22 BLK

DIMENSIONS ARE SUBJECT TO MANUFACTURERS TOLERANCES AND CHANGE WITHOUT NOTICE. WE CAN ASSUME NO RESPONSIBILITY FOR USE OF SUPERSEDED OR VOID DATA.

**JOSAM**  
MICHIGAN CITY, INDIANA

NOTES