

**SPECIFICATION:**

JOSAM 32200-AE-44-SD SERIES COATED CAST IRON LEVELZE® FLOOR DRAIN WITH ROUND TOP, GRATE SUPPORT COLLAR WITH DOUBLE DRAINAGE FLANGE AND WEEPHOLES, BOTTOM OUTLET, ADJUSTABLE COLLAR, SUPPORT RING, SECONDARY FLASHING CLAMP WITH WEEPHOLES, LARGE SUMP BODY AND SPECIAL-DUTY LOOSE-SET ANTI-TILTING GRATE.

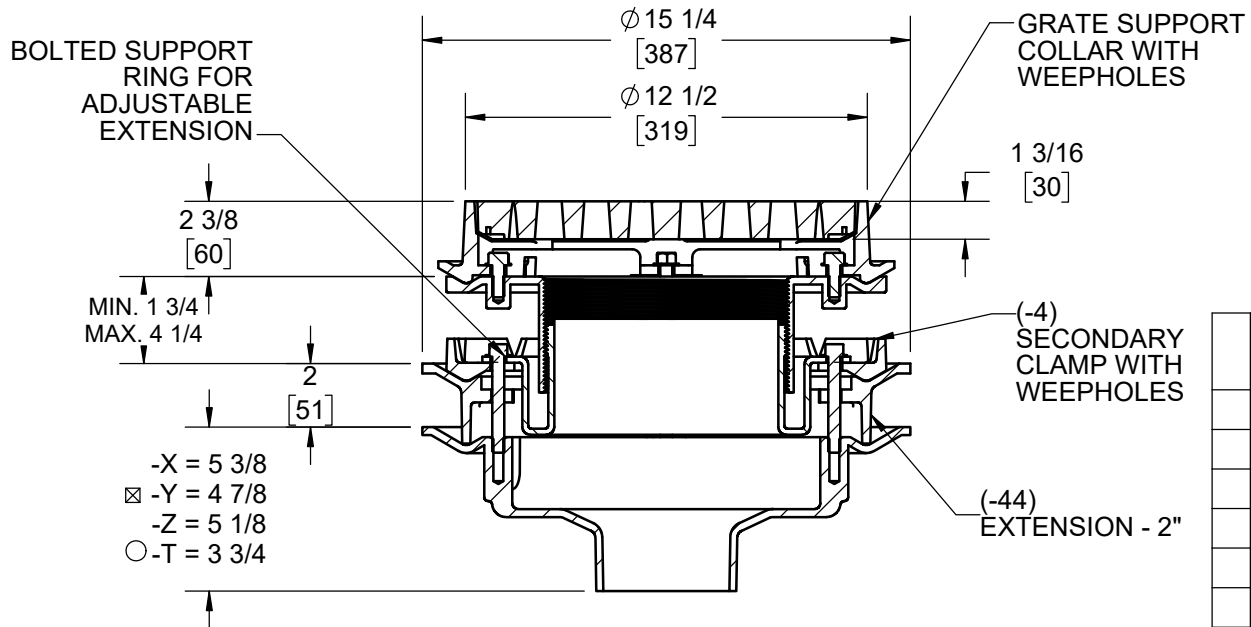
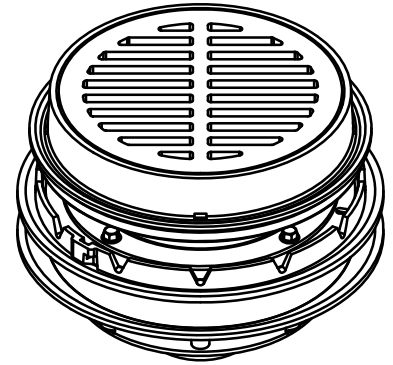
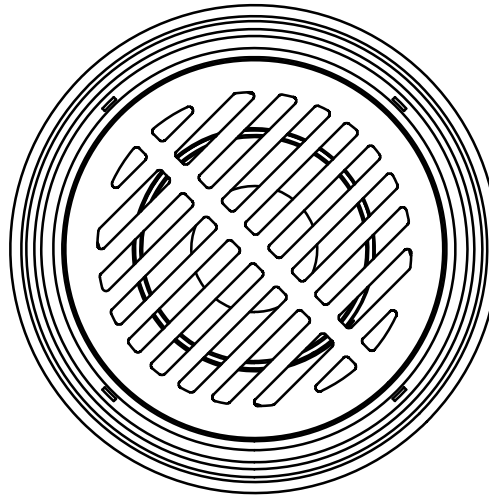
**FLOOR DRAIN**  
**12" ROUND TOP, ADJUSTABLE,**  
**SECONDARY CLAMP**

SERIES **32200-AE-44-SD**

SLOT WIDTH: 1/2"  
 FREE AREA: 34.3 IN<sup>2</sup>

(-1 & -2 SLOT WIDTH: 1/4")

- ADD 1/4" WHEN FURNISHED WITH NIKALOY OR BRONZE TOP
- GASKET ON -Y OUTLET CONFORMS WITH ASTM-C564
- FOR 8" -T OUTLET, DIM. IS 5-3/4"



PIPE SIZE
2"
3"
4"
5"
6"
8"

<input checked="" type="checkbox"/>	-AE	LEVELZE® ADJUSTABLE EXTENSION
	-81	SLOTTED CAST IRON BUCKET
<input checked="" type="checkbox"/>	-SD	SPECIAL-DUTY GRATE
	-1	SATIN NIKALOY TOP
	-2	SATIN BRONZE TOP
	-4	SECONDARY FLASHING CLAMP
	-7	DUCTILE IRON GRATE
	-13	DOME GRATE, CAST IRON
	-13-1	DOME GRATE, NIKALOY
	-13-2	DOME GRATE, BRONZE
	-15	CHAINED GRATE
	-ARE	ACID-RESISTING EPOXY
	-VP	SECURED GRATE

X	-44	FIXED EXT, CI (2" STD. OR SPEC. HT.)
	-44-92	FIXED EXT, GALV (2" STD. OR SPEC. HT.)
	-49	3/4" PRIMER TAP
	-50	1/2" PRIMER TAP
	-66	NO-HUB SIDE OUTLET (2" - 6")
	-84	SS MESH BUCKET LINER (WITH -81)
	-88	SUPPLEMENTARY STRAINER
	-92	GALVANIZED CAST IRON PARTS
	-T	THREADED OUTLET
	-X	INSIDE CAULK OUTLET
	-Y	HUB OUTLET W/ GASKET (2" - 4")
	-Z	NO-HUB OUTLET

WARNING: Cancer and Reproductive Harm - www.P65Warnings.ca.gov

DATE OF LAST CHANGE: 11/05/24 | BLK

DIMENSIONS ARE SUBJECT TO MANUFACTURERS TOLERANCES AND CHANGE WITHOUT NOTICE. WE CAN ASSUME NO RESPONSIBILITY FOR USE OF SUPERSEDED OR VOID DATA.



NOTES