

**SPECIFICATION:**

JOSAM SERIES 46200 FABRICATED STAINLESS STEEL (TYPE 304, 1 mm), 3-1/2" WIDE PLUS FLANGE, WITH ANCHOR TABS AND LEVELING FEET, WITH BOTTOM CONNECTION AND BRUSHED FINISH PERFORATED GRATE OPTIONS.

RUN LENGTHS LONGER THAN 10' PROVIDED WITH FLANGES, GASKETS, AND HARDWARE.

**SS SHOWER CHANNEL WITH FLANGE**

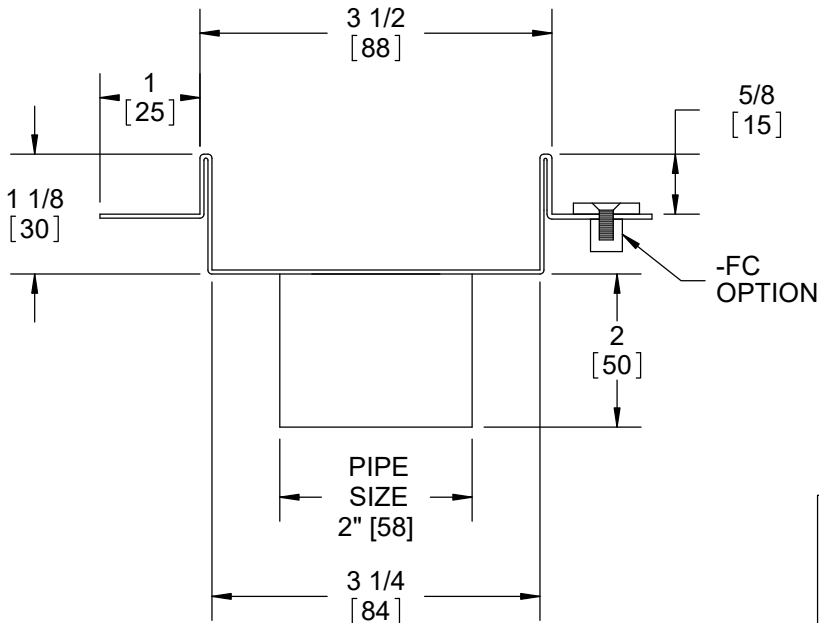
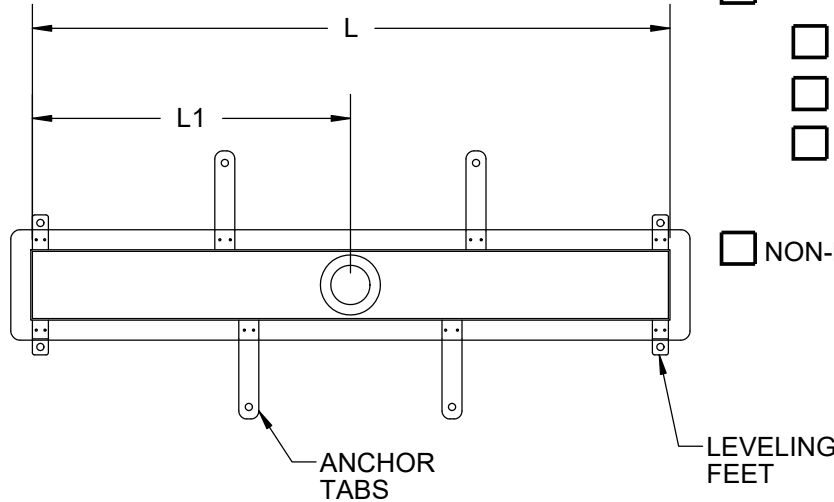
SERIES **46200**

**SPECIFICATIONS:**

- LINEAR RUN
  - TOTAL RUN LENGTH (L) = \_\_\_\_\_
  - OUTLET AT END OF RUN
  - OUTLET MID-RUN (SPEC. LENGTH L1) = \_\_\_\_\_

- NON-LINEAR RUN

PROVIDE SKETCH WITH CRITICAL LENGTH DIMENSIONS AND OUTLET LOCATION(S).



MODEL	GRATE TYPE
46212	BALENA
46222	SPIGOLA
46232	VIPERA
46242	MURENA
46252	GOCCIA
46262	PIETRA

SEE SEPARATE DRAWING FOR GRATE DETAILS

**OPTIONS:**

-PF	POLISHED FINISH GRATE
-FB	FILTER BASKET (FLAT STRAINER)
-PFO	PUSH-FIT OUTLET SIZE
-316	TYPE 316L MATERIAL
-BW	BUTT-WELD OUTLET (SPEC. 10, 40, 80)
-FC	FLANGE CLAMP
-T	THREADED OUTLET, FEMALE
-FCO*	FLANGE AND CLAMP OUTLET

\* SEPARATE SUBMITTAL IS AVAILABLE

AUTHORIZED PROJECT SIGNATURE AND DATE:

NAME:

TITLE:

SIGNATURE:

DATE:

NOTE: ALL SS CHANNELS ARE CUSTOM FABRICATED. ORDERS ARE NON-CANCELLABLE AND NON-RETURNABLE.

WARNING: Cancer and Reproductive Harm - www.P65Warnings.ca.gov

DATE OF LAST CHANGE: 04/03/25 BLK

DIMENSIONS ARE SUBJECT TO MANUFACTURERS TOLERANCES AND CHANGE WITHOUT NOTICE. WE CAN ASSUME NO RESPONSIBILITY FOR USE OF SUPERSEDED OR VOID DATA.

**JOSAM**  
MICHIGAN CITY, INDIANA

NOTES