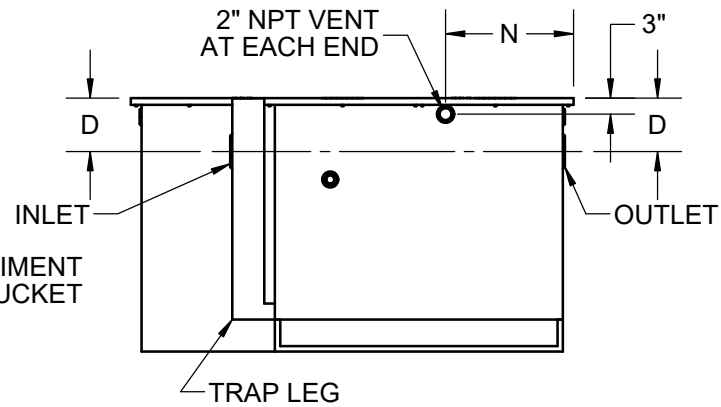
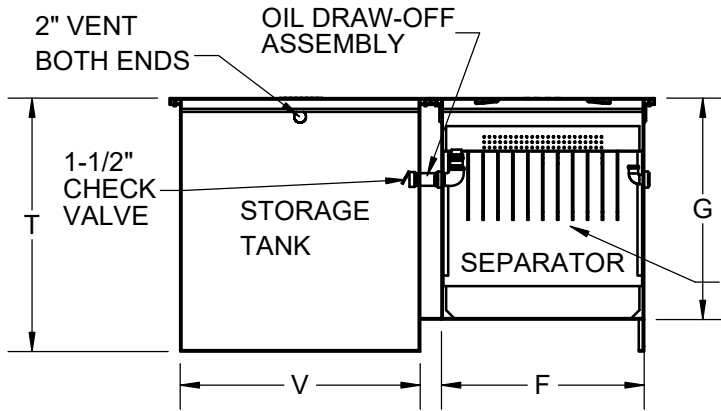
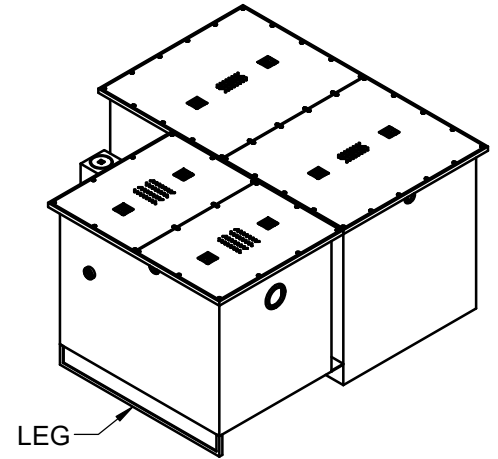
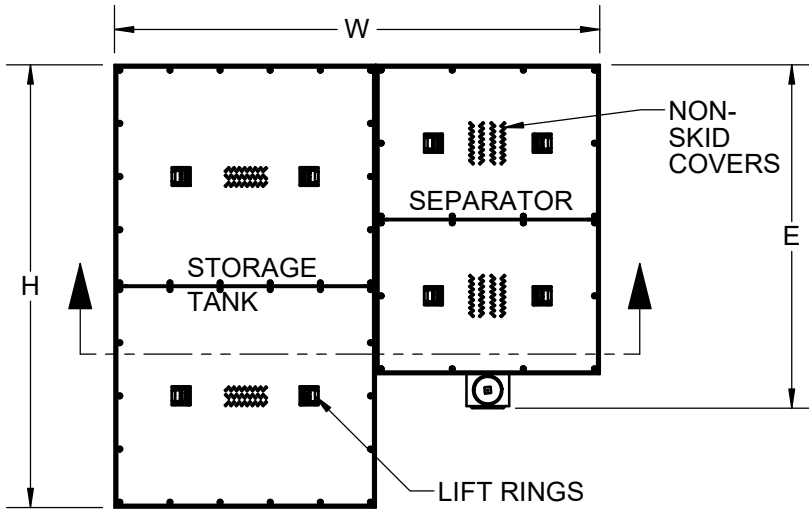


**SPECIFICATION:**

JOSAM 60610A-EST STEEL OIL INTERCEPTOR, FLUSH-WITH-FLOOR TYPE WITH OIL STORAGE TANK, THREADED CONNECTIONS, FLAT BOTTOM, VISIBLE DOUBLE WALL TRAP, SEDIMENT BUCKET, GASKETED COVER, ACID RESISTANT COATING (INSIDE AND OUT), CHECK VALVE AND FLOW CONTROL FITTING.

**OIL INTERCEPTOR  
WITH EXTERNAL OIL  
STORAGE TANK**

SERIES **60610A-EST**



PRODUCT IS NON-CANCELABLE AND NON-RETURNABLE NAME: \_\_\_\_\_ SIGNATURE: \_\_\_\_\_ DATE: \_\_\_\_\_

	-19	RECLAIM TANK ALARM
Δ	-EST-EXT	EXTENSION (SPECIFY "D" DIMENSION) MINIMUM "D" DIMENSION = 8"
X	-EST	EXTRA STORAGE TANK
	-HD	HEAVY DUTY COVER (MUST SPECIFY WITH SEPARATOR ORDER)

\*FURNISHED WITH 2 PIECE COVER

Δ SEPARATE SUBMITTAL FOR THIS OPTION AVAILABLE

	TYPE	FLOW RATE	TANK SIZE (GAL.)	PIPE SIZE	D	E	F	G	H	N	T	V	W	WEIGHT (LBS.)	** FLOW CONTROL
	60611A-EST	75	100	3	6	48	27	27	48	20.75	27	35.5	70.5	1200	60714
	60612A-EST	100	250	4	8	54	31	31	67	24	41.5	38	77	1500	60714
	60613A-EST	150	250	4	10	60	35	35	67	27	41.5	38	81	2000	60714
	*60614A-EST	200	250	5	15	67	38	41.5	67	29.63	41.5	38	84	2400	60715
	*60615A-EST	250	500	5	15	72	42	45.5	91	32.75	55.5	37.5	87.5	3000	60715
	*60616A-EST	350	500	6	15	80	48	51.5	91	36.5	55.5	37.5	93.5	3800	60716
	*60617A-EST	500	500	6	26	91	55	55.5	91	43	55.5	37.5	100.5	5200	60716

DATE OF LAST CHANGE: 6/04/21

DIMENSIONS ARE SUBJECT TO MANUFACTURERS TOLERANCES AND CHANGE WITHOUT NOTICE. WE CAN ASSUME NO RESPONSIBILITY FOR USE OF SUPERSEDED OR VOID DATA.



NOTES