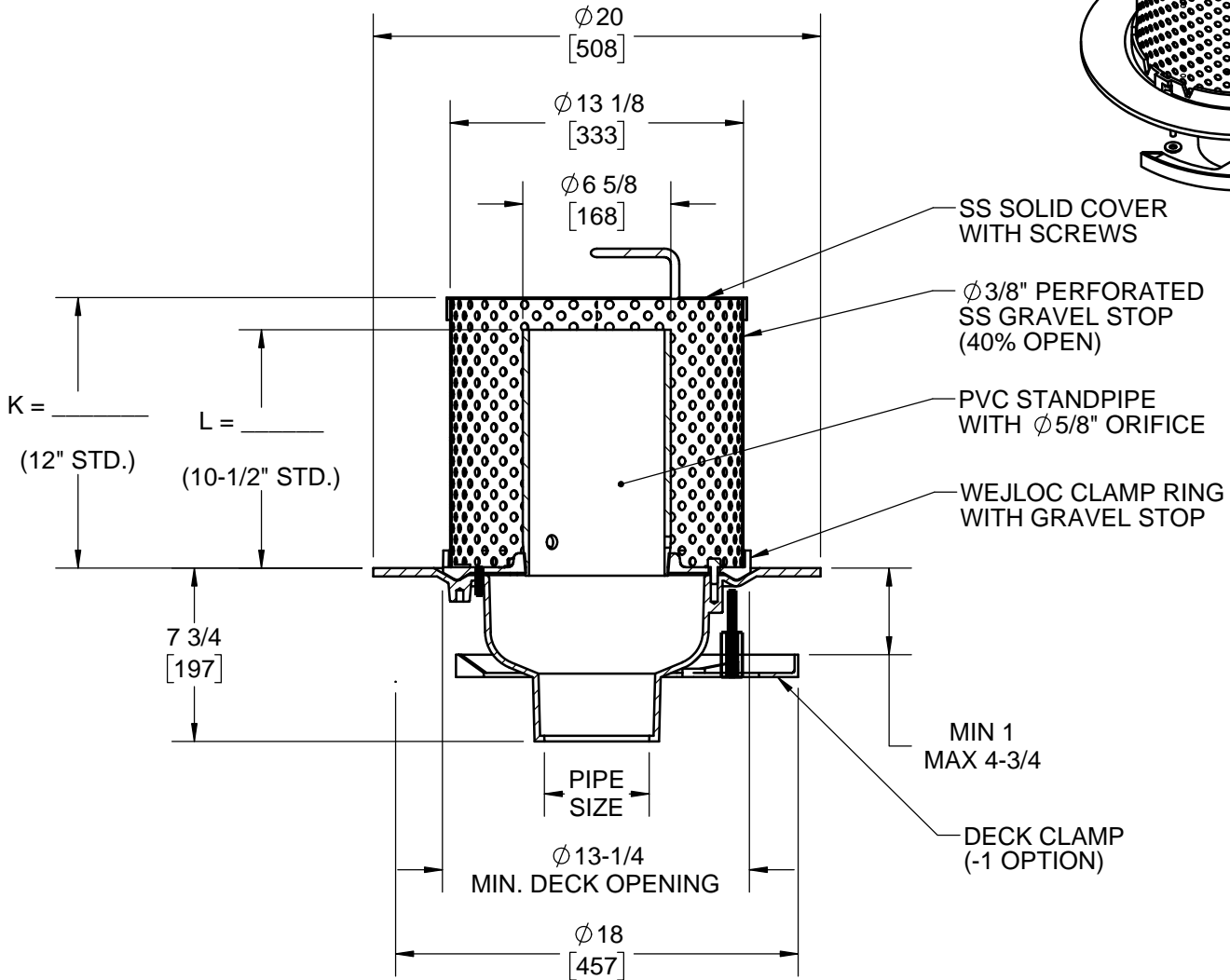
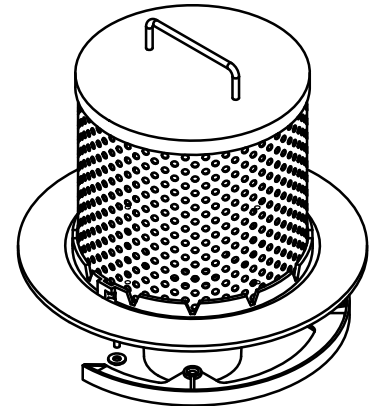


**SPECIFICATION:**

JOSAM SERIES 21500-ORDG1-6 COATED CAST IRON LARGE SUMP WIDE FLANGE DRAIN BODY AND CLAMP RING WITH STAINLESS STEEL GRAVEL STOP AND SECURED COVER AND PVC STANDPIPE WITH ORIFICE.

**ROOF DRAIN  
GREEN ROOF**

**SERIES 21500-ORDG1-6**



				-AE	ADJUSTABLE EXTENSION
				-PC	PERFORATED COVER
				-LO	LESS ORIFICE IN STANDPIPE
	2"	PIPE SIZE		-1	DECK CLAMP ASSY.
	3"	PIPE SIZE	<b>X</b>	-6	EXTRA WIDE FLANGE DRAIN BODY ( -X OUTLET ONLY )
	4"	PIPE SIZE		-10	FIXED EXT. COLLAR, CAST IRON ( SPECIFY HT. OR 4" STD.)
	5"	PIPE SIZE		-10-20	FIXED EXT. COLLAR, GALV. ( SPECIFY HT. OR 4" STD.)
	6"	PIPE SIZE		-17"	2" HIGH SOLID CLAMPING COLLAR
				-20	GALV. CAST IRON PARTS
<b>X</b>	-X	INSIDE CAULK OUTLET		-66	NO-HUB SIDE OUTLET ( 2" THRU 6" OUTLETS ONLY )

WARNING: Cancer and Reproductive Harm - www.P65Warnings.ca.gov

DATE OF LAST CHANGE: 6/15/18

DIMENSIONS ARE SUBJECT TO MANUFACTURERS TOLERANCES AND CHANGE WITHOUT NOTICE. WE CAN ASSUME NO RESPONSIBILITY FOR USE OF SUPERSEDED OR VOID DATA.

**JOSAM**  
MICHIGAN CITY, INDIANA

NOTES