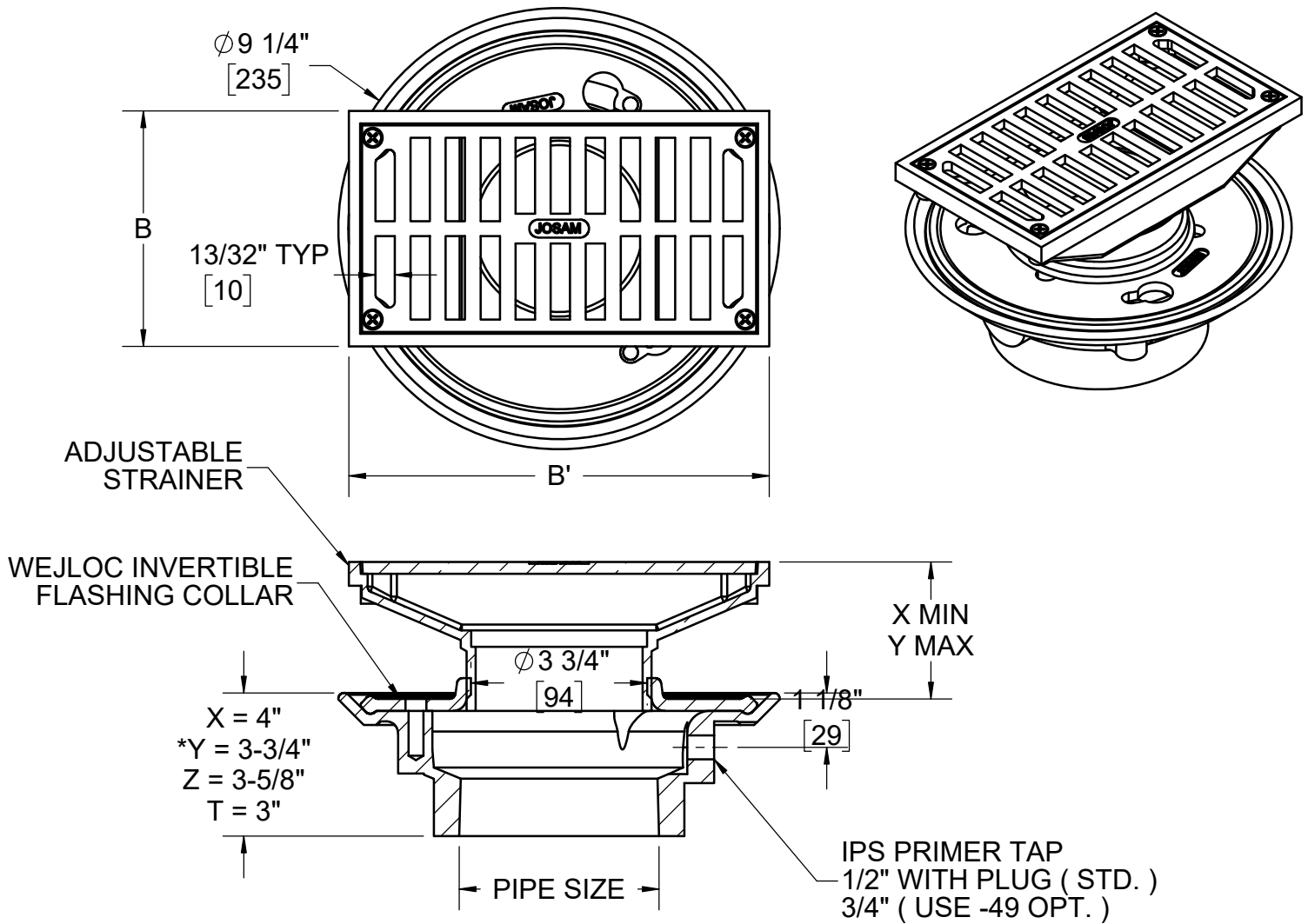


**SPECIFICATION:**

JOSAM SERIES 30000-R CAST IRON FLOOR DRAIN, TWO-PIECE BODY WITH DOUBLE DRAINAGE FLANGE AND 1/2" PRIMER TAP, WEJLOC® INVERTIBLE FLASHING COLLAR, WEEPHOLES, BOTTOM OUTLET CONNECTION AND NIKALOY ADJUSTABLE RECTANGULAR STRAINER.

**FLOOR DRAIN  
ADJUSTABLE FLOOR DRAIN**

SERIES **30000-R**



	STRAINER	BXB'	X	Y	FREE AREA
	-5R	5X9	1-7/8	3-1/4	14.9
	-6R	5X13	1-3/4	3-1/4	20.0
	-7R	5X17	1-7/8	3-1/4	22.4
	-8R	5X21	1-7/8	3-1/4	47.0

\*GASKET ON -Y CONNECTION CONFORMS WITH ASTM-C564

	2"	PIPE SIZE		-92	GALVANIZED CAST IRON PARTS
	3"	PIPE SIZE		-2	BRONZE ADJUSTABLE STRAINER
	4"	PIPE SIZE		-80	PERFORATED STAINLESS STEEL BASKET
	-TSO	THREADED SIDE OUTLET		-J	BACKWATER VALVE
	-ST	WITH SHALLOW TRAP (2" AND 3" ONLY)		-VP	SECURED GRATE, VANDAL-PROOF SCREWS
	-PD	PRISON DRAIN (2" AND 3" ONLY)		-T	THREADED OUTLET
	-ARE	ACID-RESISTING EPOXY		-X	INSIDE CAULK OUTLET
	-49	3/4" PRIMER TAP		-Y	HUB OUTLET WITH GASKET*
	-91	ROUGH BRONZE BODY		-Z	NO-HUB SPIGOT OUTLET

DATE OF LAST CHANGE: 07/24/18

DIMENSIONS ARE SUBJECT TO MANUFACTURERS TOLERANCES AND CHANGE WITHOUT NOTICE. WE CAN ASSUME NO RESPONSIBILITY FOR USE OF SUPERSEDED OR VOID DATA.

**JOSAM**

MICHIGAN CITY, INDIANA

NOTES