

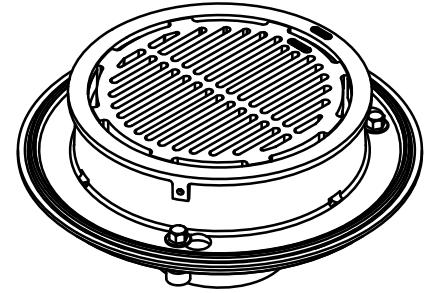
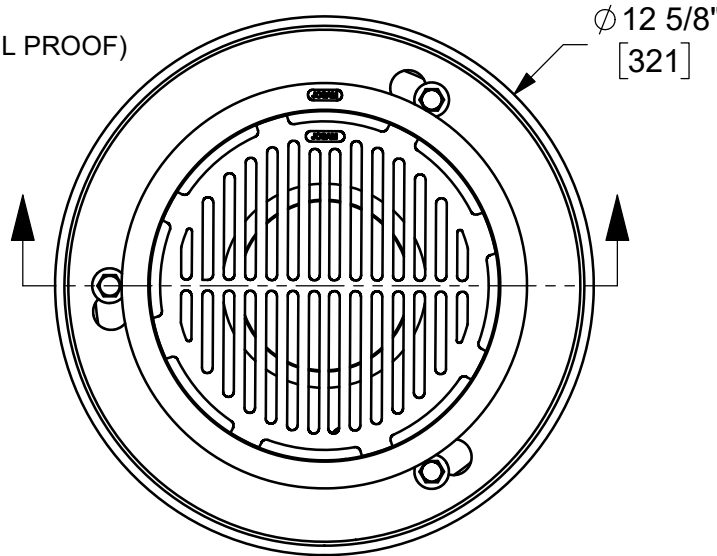
SPECIFICATION:

JOSAM 32100 SERIES COATED CAST IRON FLOOR DRAIN, TWO-PIECE BODY WITH DOUBLE DRAINAGE FLANGE, WEJLOC® NON-PUNCTURING FLASHING COLLAR, WEEPHOLES, BOTTOM OUTLET, ROUND TOP, MEDIUM-DUTY LOOSE-SET ANTI-TILTING SUPER-FLO® NIKALOY GRATE WITH PERIMETER DRAINAGE SLOTS.

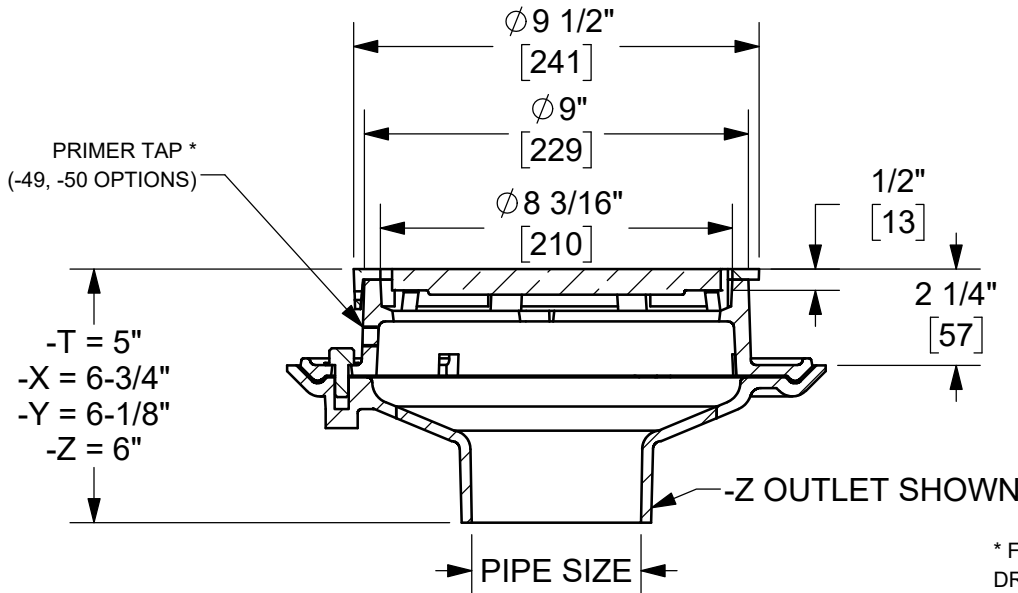
FLOOR DRAIN
9" ROUND TOP, SUPER-FLO®

SERIES **32100-1**

SLOT WIDTH = 1/4"
 (MEETS ADA AND HEEL PROOF)
 F.A. = 25 IN²



◆ GASKET CONFORMS WITH ASTM-C564



* FOR TRAP PRIMER CONNECTION BELOW DRAIN, USE 88400 OR 88450 ADAPTER.

	2"	PIPE SIZE		-VP	SECURED GRATE, VANDAL-PROOF SCREWS
	3"	PIPE SIZE		-ARE	ACID-RESISTING EPOXY
	4"	PIPE SIZE		-44	FIXED EXTENSION COLLAR, CAST IRON (SPEC. HT.) 2" STD.
				-44-92	FIXED EXTENSION COLLAR, GALVANIZED (SPEC. HT.) 2" STD.
	-AE	LEVELEZE® ADJUSTABLE EXTENSION		-49	3/4" PRIMER TAP
				-50	1/2" PRIMER TAP
	-81	SLOTTED CAST IRON BUCKET		-84	STAINLESS STEEL MESH BUCKET LINER
				-88	SUPPLEMENTARY STRAINER
	-LC1	LOCKING COVER, SATIN FINISH NIKALOY		-92	GALVANIZED CAST IRON PARTS
				-66	NO-HUB SIDE OUTLET
X	-1	SATIN FINISH NIKALOY TOP			
				-T	THREADED OUTLET
	-13-1	DOME GRATE, NIKALOY		-X	INSIDE CAULK OUTLET □
				-Y	HUB OUTLET WITH GASKET
	-15	CHAINED GRATE		-Z	NO-HUB OUTLET

DATE OF LAST CHANGE: 07/23/18

DIMENSIONS ARE SUBJECT TO MANUFACTURERS TOLERANCES AND CHANGE WITHOUT NOTICE. WE CAN ASSUME NO RESPONSIBILITY FOR USE OF SUPERSEDED OR VOID DATA.

JOSAM
 MICHIGAN CITY, INDIANA

NOTES

WARNING: Cancer and Reproductive Harm - www.P65Warnings.ca.gov