

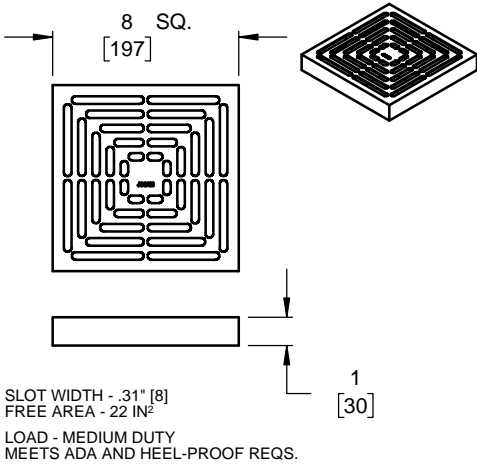
SPECIFICATION:

GRATE ASSORTMENT FOR JOSAM 45600 TYPE 304 DRAIN/SINK LINERS.

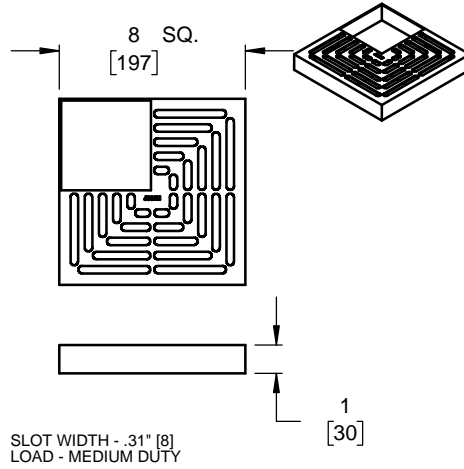
**SS DRAINS
TOPS FOR
DRAIN/SINK LINERS**

SERIES 45600 TOPS

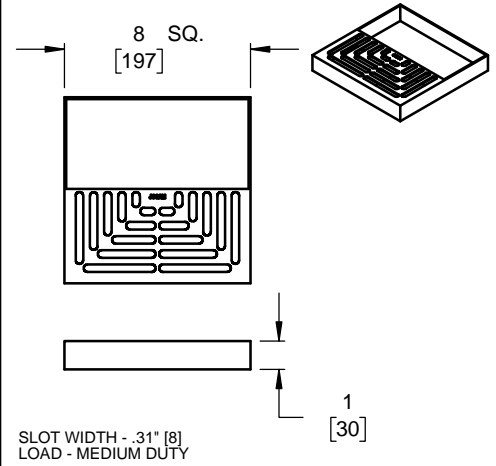
STANDARD PERFORATED GRATE



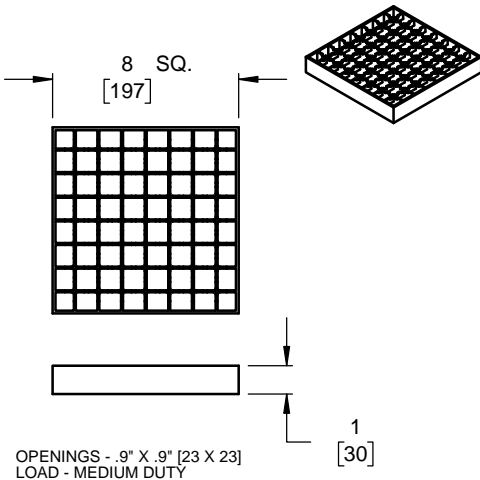
- 3Q 3/4 PERFORATED GRATE



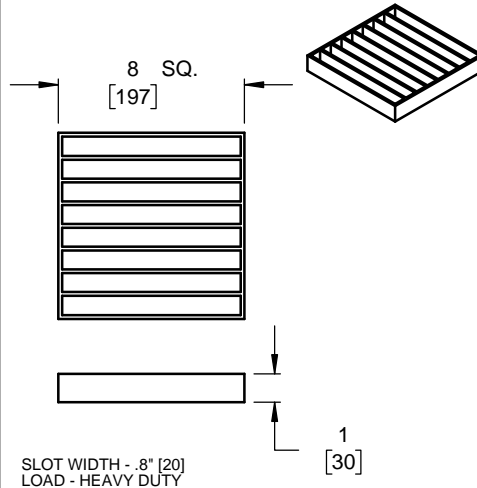
- HG PERFORATED 1/2 GRATE



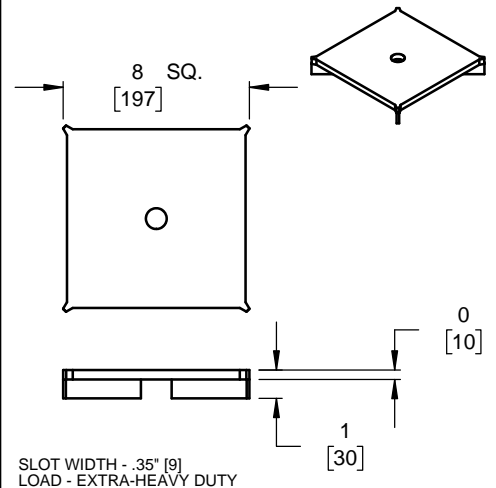
- MG ANTI-SLIP MESH GRATE



- LG LADDER GRATE



- SG PERIMETER SLOT GRATE



WARNING: Cancer and Reproductive Harm - www.P65Warnings.ca.gov

DATE OF LAST CHANGE: 7/17/18

DIMENSIONS ARE SUBJECT TO MANUFACTURERS TOLERANCES AND CHANGE WITHOUT NOTICE. WE CAN ASSUME NO RESPONSIBILITY FOR USE OF SUPERSEDED OR VOID DATA.

JOSAM
MICHIGAN CITY, INDIANA

NOTES