

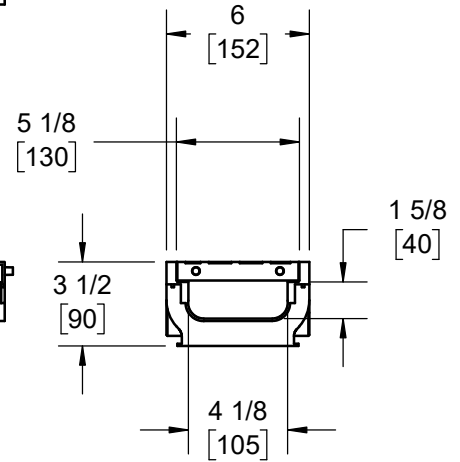
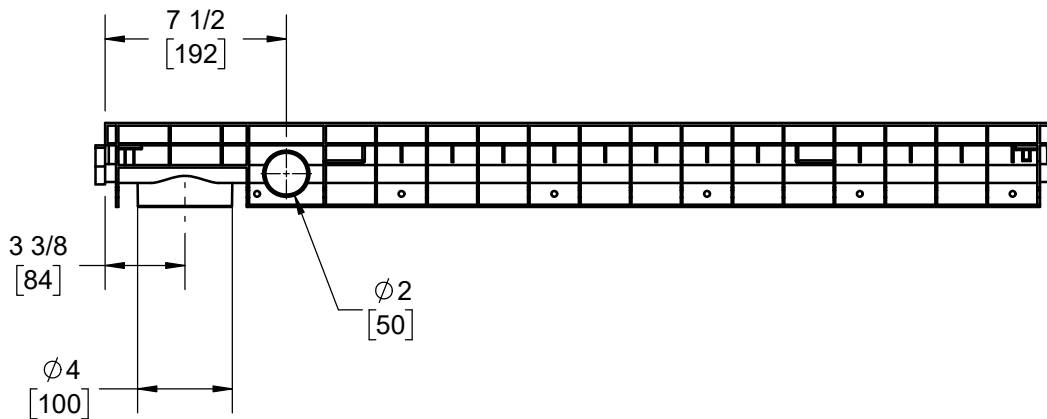
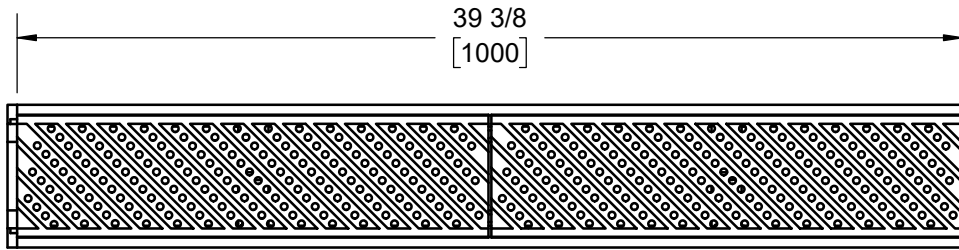
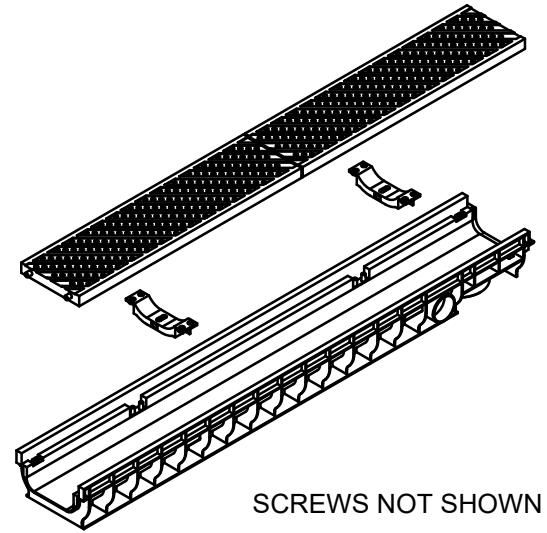
**SPECIFICATION:**

JOSAM SERIES TD-130-ABS SHALLOW HDPE CHANNEL, (2) ABS CLASS "A" GRATES, AND (2) LOCKING BAR DEVICES.

**LITE LINE  
TRENCH DRAIN**

SERIES **TD-130-ABS**

OPENING SIZE:  $\phi$  1/4" [7]  
MEETS ADA AND HEEL-RESISTANT REQUIREMENTS  
MAX. CONTINUOUS OPERATING TEMP.: 140° F



WARNING: Cancer and Reproductive Harm - www.P65Warnings.ca.gov

DATE OF LAST CHANGE: 11/14/19

DIMENSIONS ARE SUBJECT TO MANUFACTURERS TOLERANCES AND CHANGE WITHOUT NOTICE. WE CAN ASSUME NO RESPONSIBILITY FOR USE OF SUPERSEDED OR VOID DATA.



MICHIGAN CITY, INDIANA

NOTES