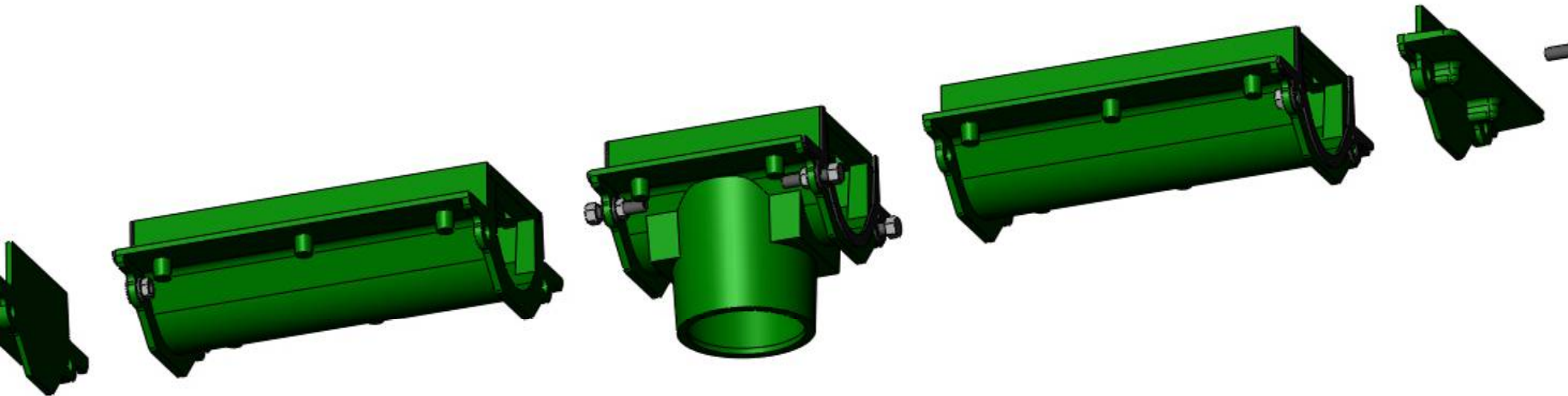


JOSAM 76000 CAST IRON TRENCH DRAIN



 **WARNING:** Cancer and Reproductive Harm - www.p65warnings.ca.gov

INSTALLATION INSTRUCTIONS

1. ALIGN TOP EDGES OF (2) SECTIONS
2. INSERT GASKET AND BOLT (2) SECTIONS TOGETHER.
(HARDWARE PROVIDED)
3. REPEAT STEP 2 FOR BALANCE OF OUTLET AND EXTENSION SECTIONS
4. INSTALL END CAP TO LAST SECTION IN SAME MANNER AS OTHER PIECES.
5. POUR CONCRETE TO ENCASE ENTIRE ASSEMBLY
6. INSERT GRATES WHEN FINISHED.